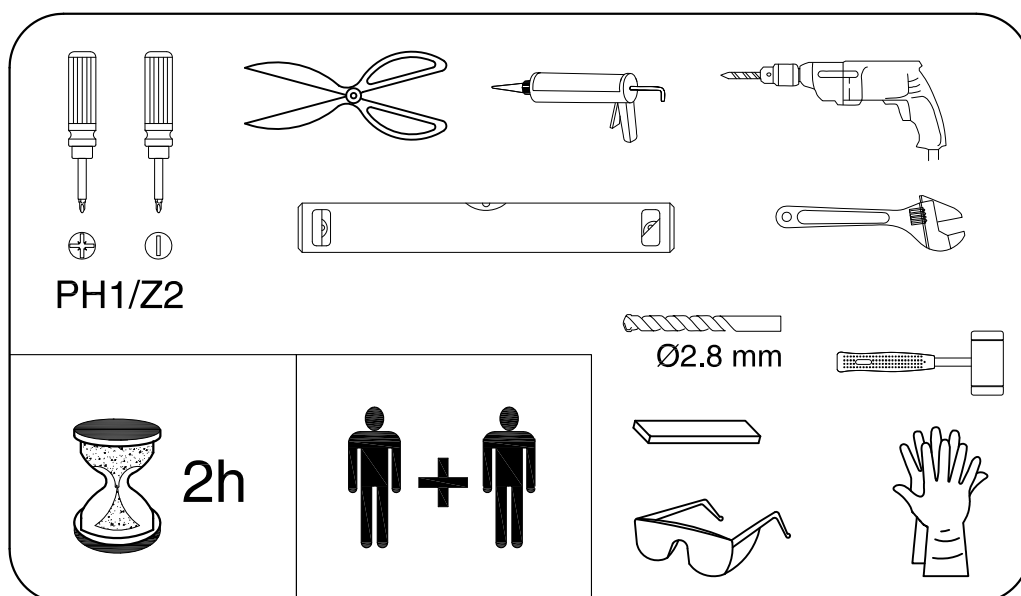
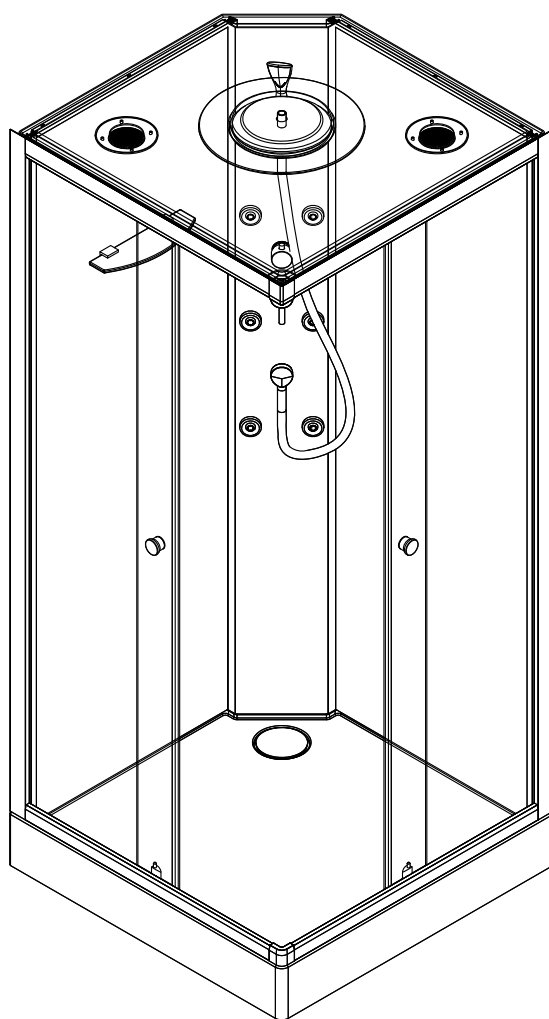
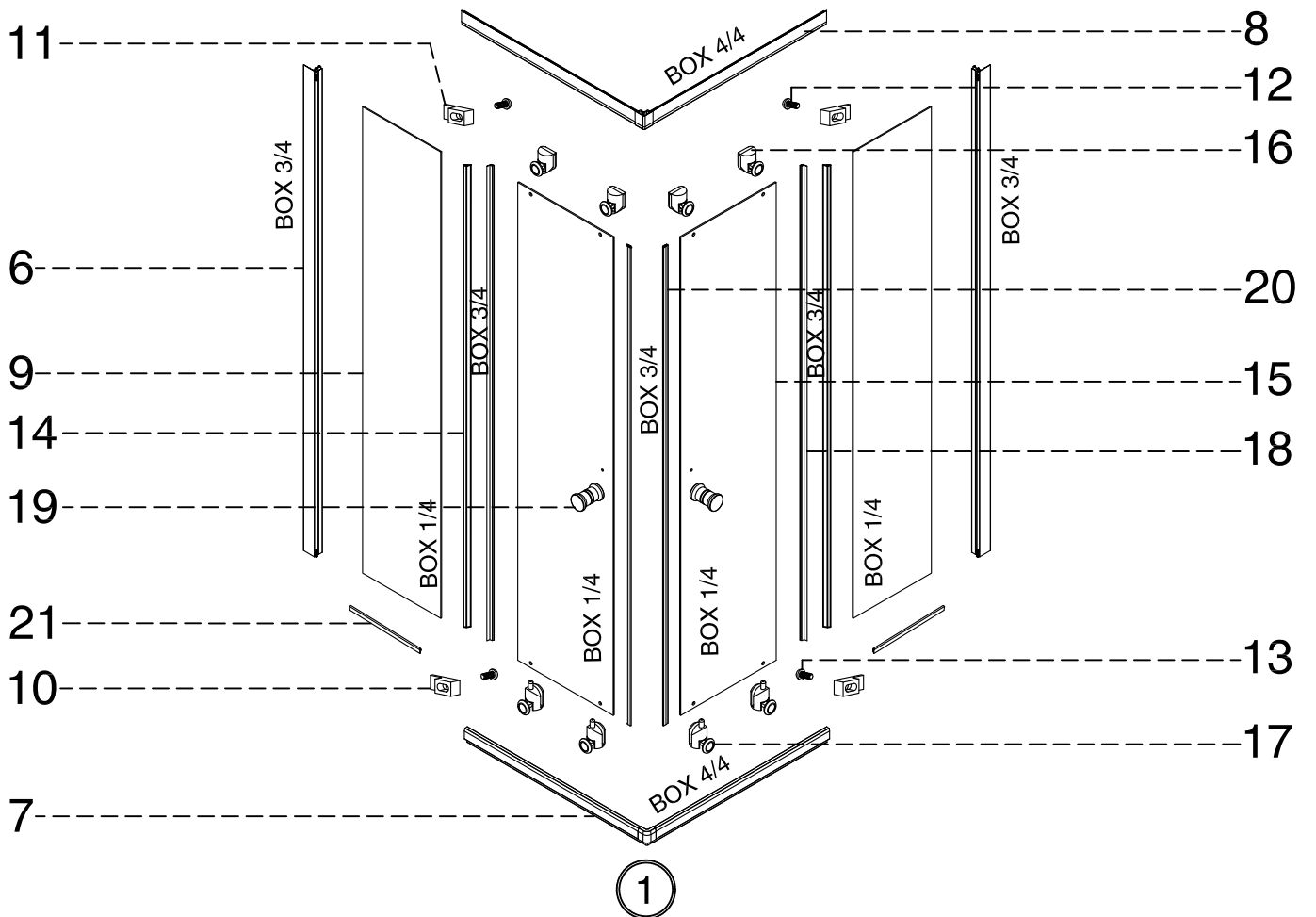
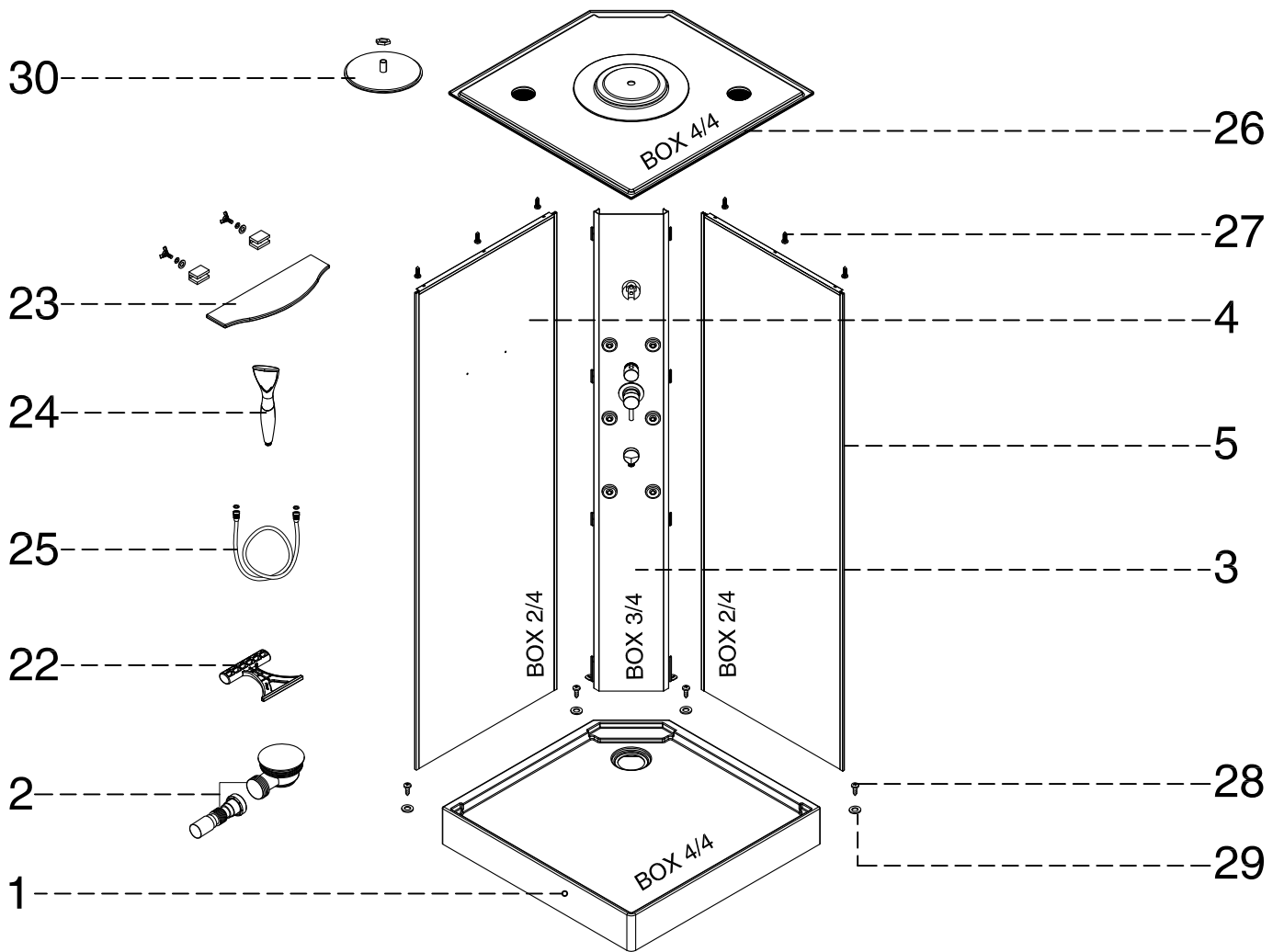


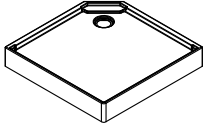
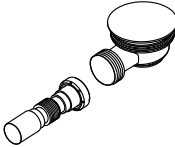
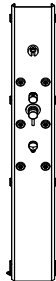
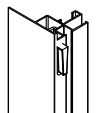
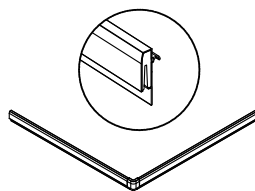
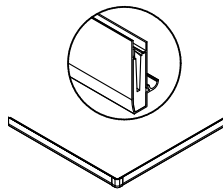
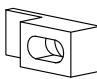

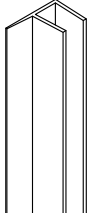
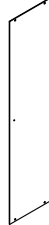
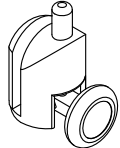
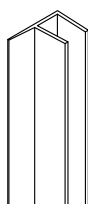
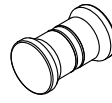
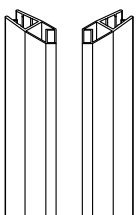
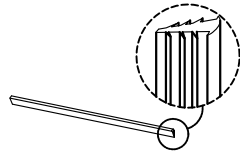

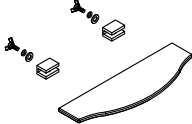
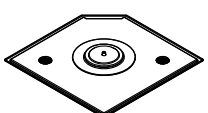
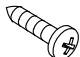

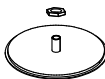
V2

C80043

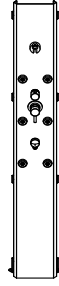
90X90X215 cm





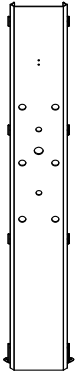
<p><b>1</b> ZBC80043-01</p>  <p>X1</p>	<p><b>2</b> ZBC80000-02</p>  <p>X1</p>	<p><b>3</b> ZBC80000-03.1</p>  <p>X1</p>	<p><b>4</b> ZBC80000-04</p>  <p>X1</p>	<p><b>5</b> ZBC80000-05</p>  <p>X1</p>
<p><b>6</b> ZBC80000-06.2</p>  <p>X1</p> <p>ZBC80000-06.3</p>  <p>X1</p>	<p><b>7</b> ZBC80043-07</p>  <p>X1</p>	<p><b>8</b> ZBC80043-08</p>  <p>X1</p>	<p><b>9</b> ZBC80043-09</p>  <p>X2</p>	<p><b>10</b> ZBC80043-10</p>  <p>5 mm</p> <p>X2</p>
<p><b>11</b> ZBC80043-11</p>  <p>4 mm</p> <p>X2</p>	<p><b>12</b> ZBC80043-11</p>  <p>ST3.9X9.5</p> <p>X2</p>	<p><b>13</b> ZBC80043-10</p>  <p>ST3.9X13</p> <p>X2</p>	<p><b>14</b> ZBC80000-19</p>  <p>X2</p>	<p><b>15</b> ZBC80043-14</p>  <p>X2</p>
<p><b>16</b> ZBC80047-15</p>  <p>X4</p>	<p><b>17</b> ZBC80047-16</p>  <p>X4</p>	<p><b>18</b> ZBC80000-18</p>  <p>X2</p>	<p><b>19</b> ZBC80000-22</p>  <p>X2</p>	<p><b>20</b> ZBC80000-17.1</p>  <p>X1</p>
<p><b>21</b> ZBC80000-20</p>  <p>X2</p>	<p><b>22</b> ZBC80000-21</p>  <p>X1</p>	<p><b>23</b> ZBC80000-35</p>  <p>X1</p>	<p><b>24</b> ZBC80000-28</p>  <p>X1</p>	<p><b>25</b> ZBC80000-29</p>  <p>X1</p>
<p><b>26</b> ZBC80043-33</p>  <p>X1</p>	<p><b>27</b> ZBC80043-33</p>  <p>ST3.9X13</p> <p>X6</p>	<p><b>28</b> ZBC80000-39</p>  <p>ST3.9X16</p> <p>X4</p> <p>(2)</p>	<p><b>29</b> ZBC80000-39</p>  <p>X4</p>	<p><b>30</b> ZBC80000-34</p>  <p>X1</p>

3 ZBC80000-03.1

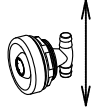


X1

3.2 ZBC80000-03.2

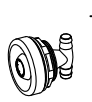


3.3 ZBC80047-23



X5

3.4 ZBC80047-24



X1

3.5 ZBC80047-25



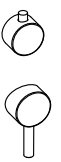
X1

3.6 ZBC80047-26



X1

3.7 ZBC80047-27



X1

3.8 ZBC80047-30



X1

3.9 ZBC80047-31



X1

3.10 ZBC80047-37



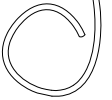
X2

3.11 ZBC80047-38



X16

3.12 ZBC80000-36



X2

3.8



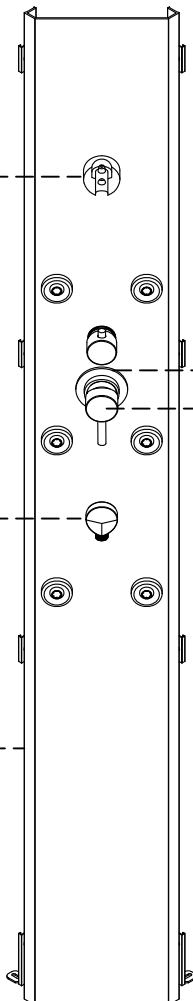
3.6

3.7

3.9



3.2



3.12

3.4

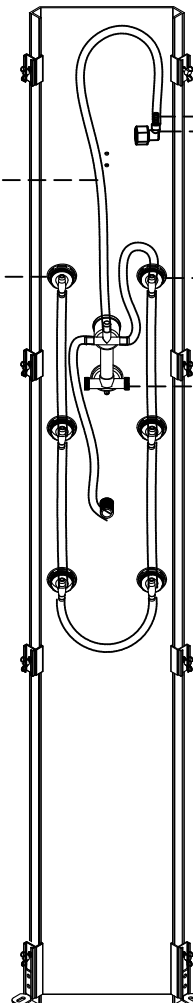
3.5

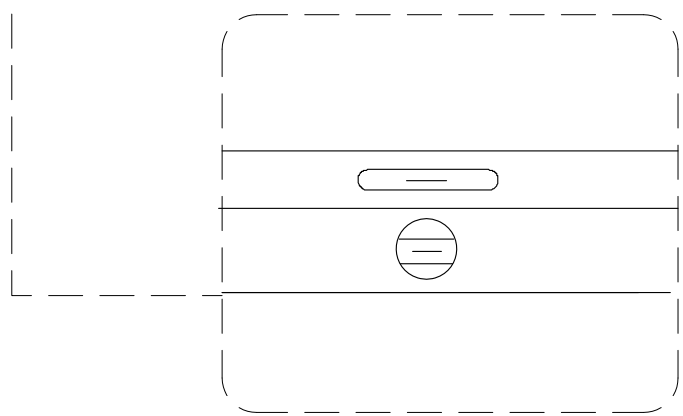
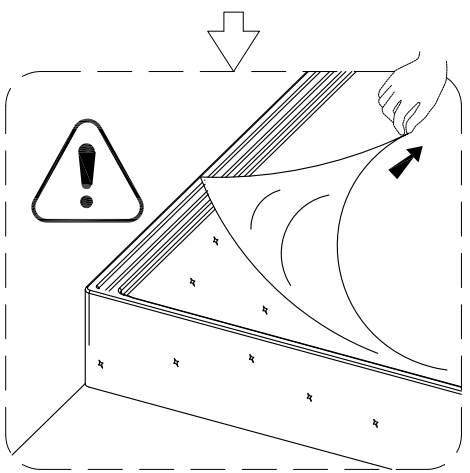
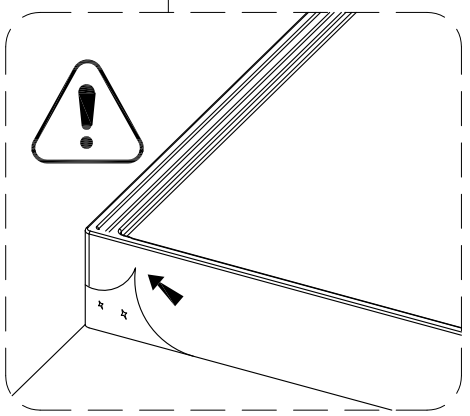
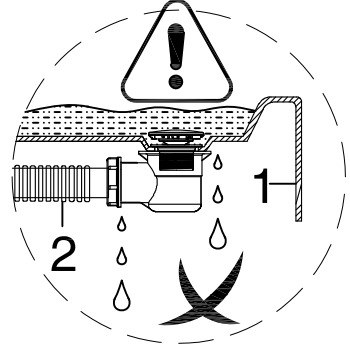
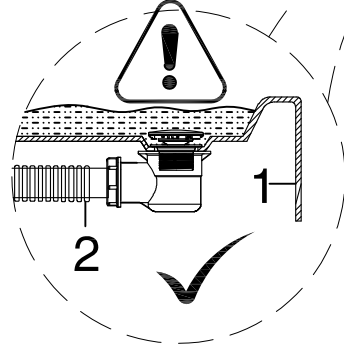
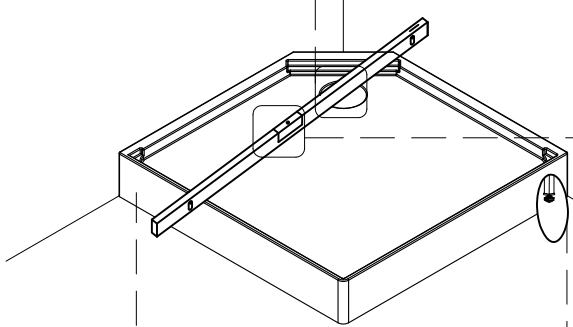
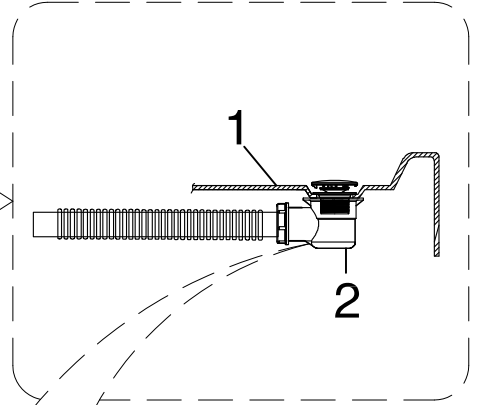
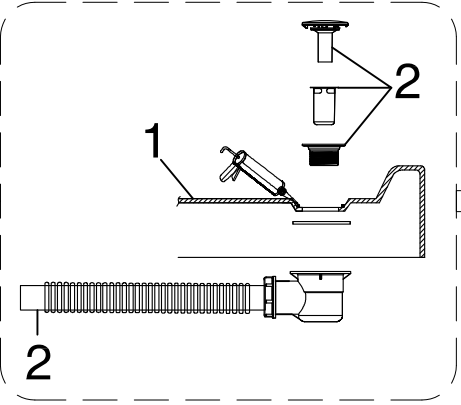
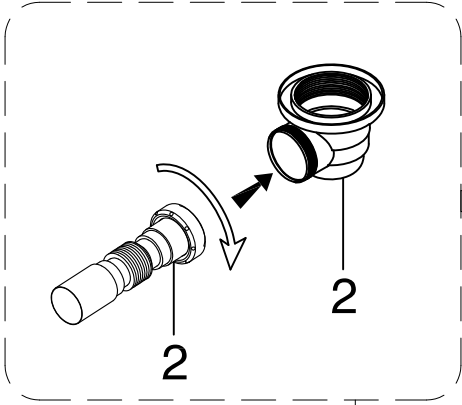
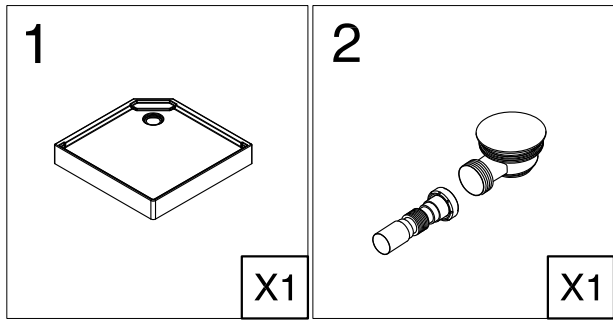
3.11

3.10

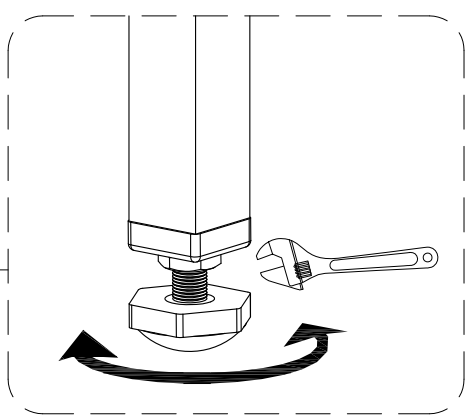
3.3

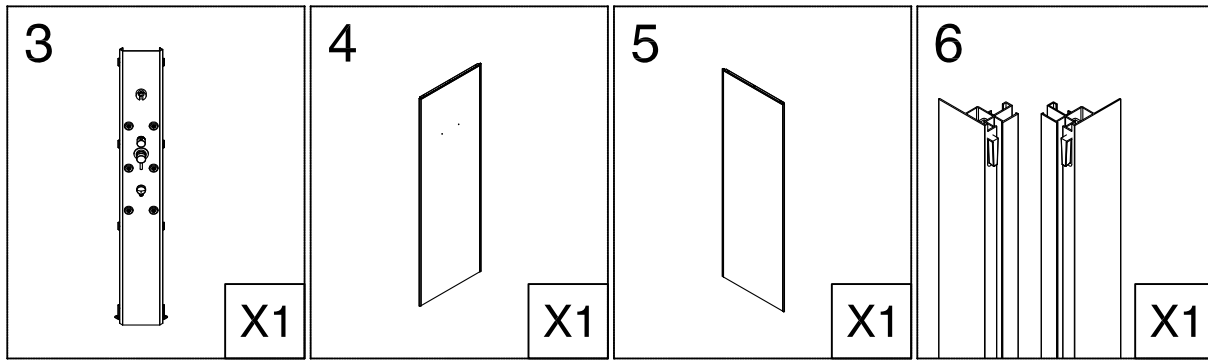
3.5



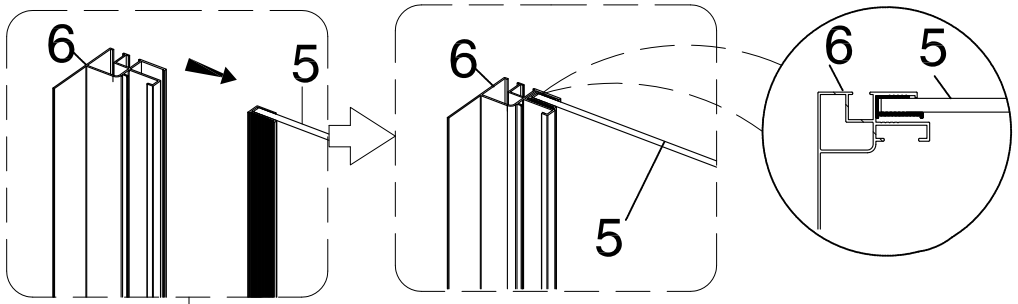


3

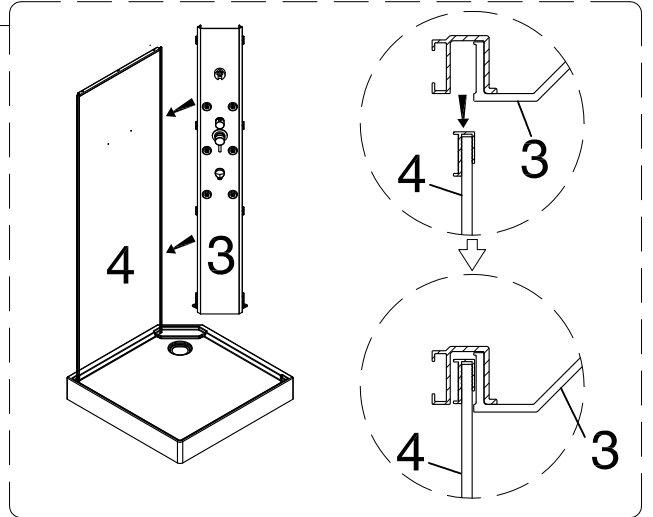




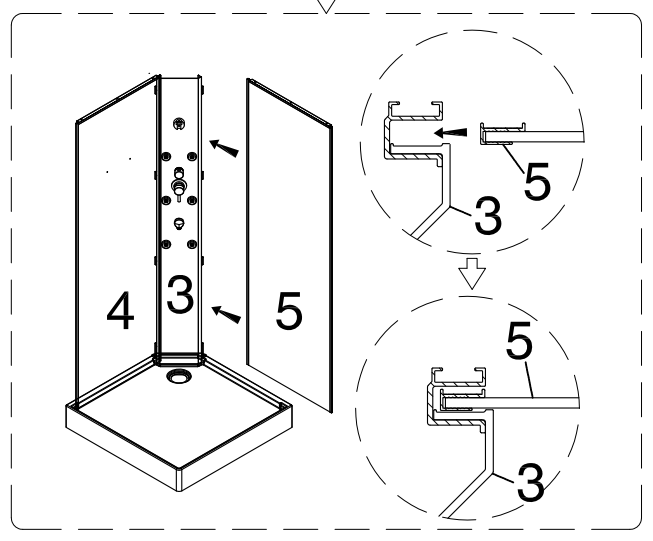
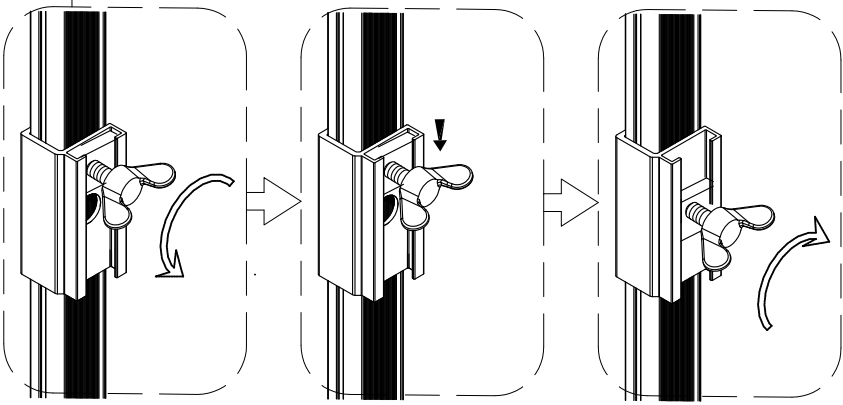
STEP 2

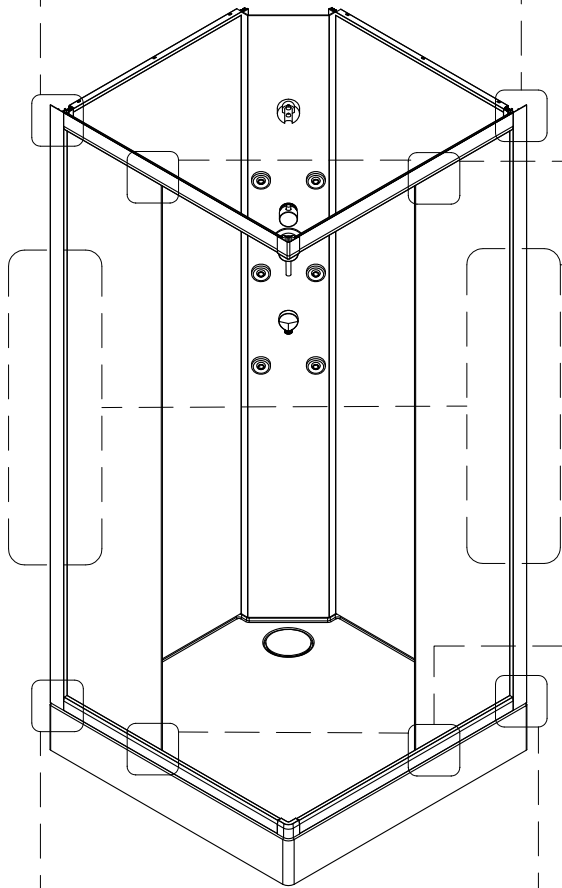
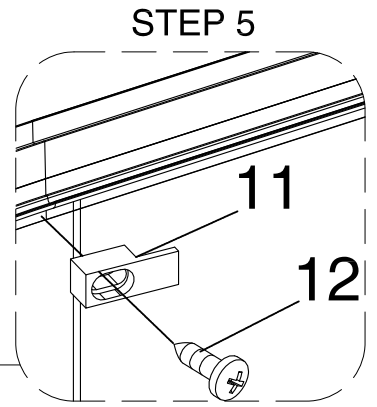
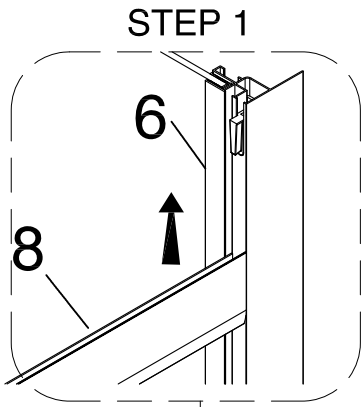
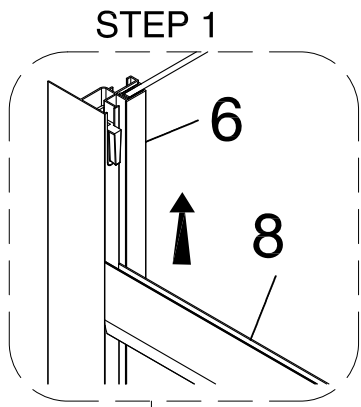
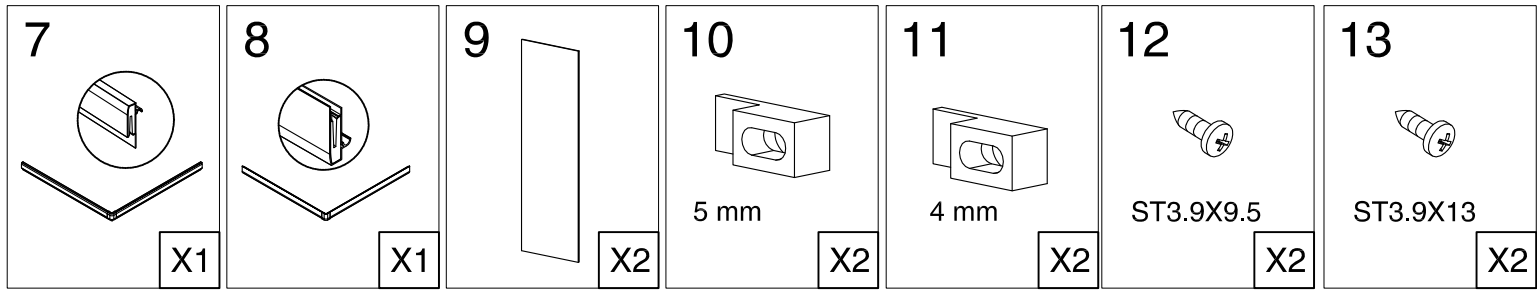


STEP 1

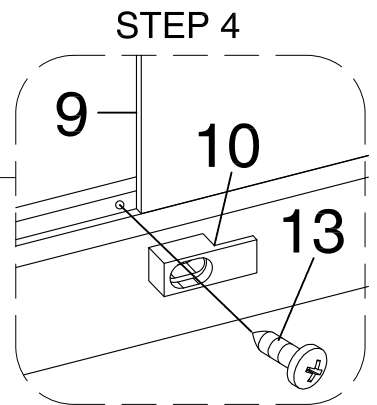
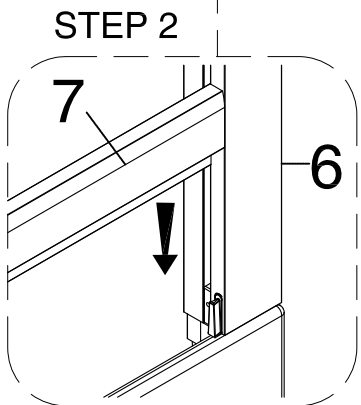
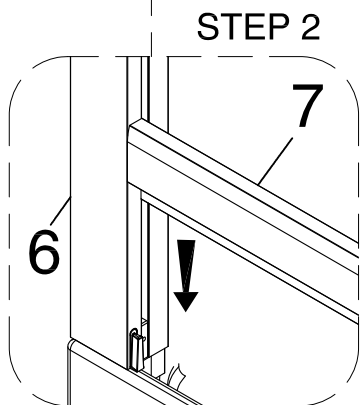
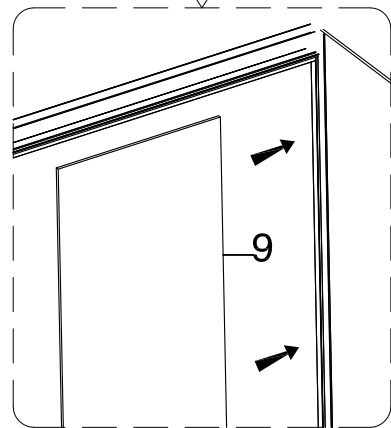
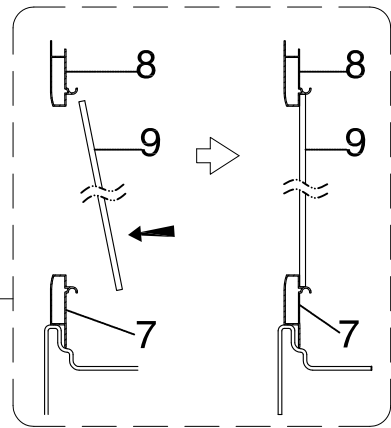


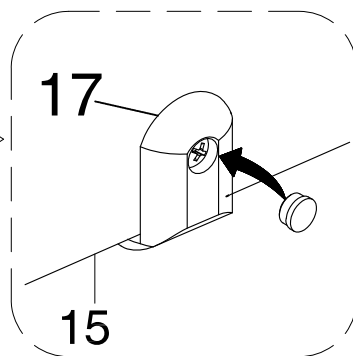
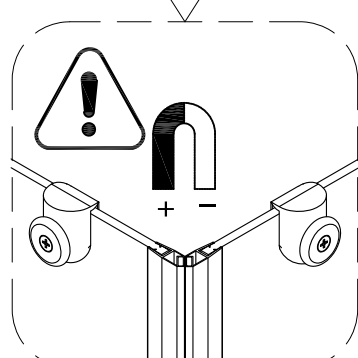
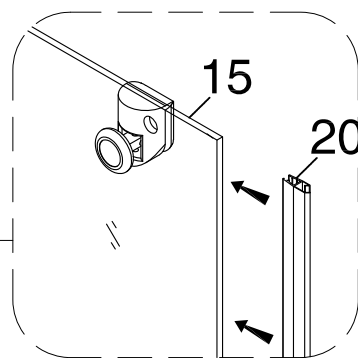
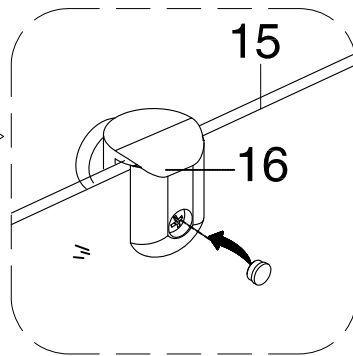
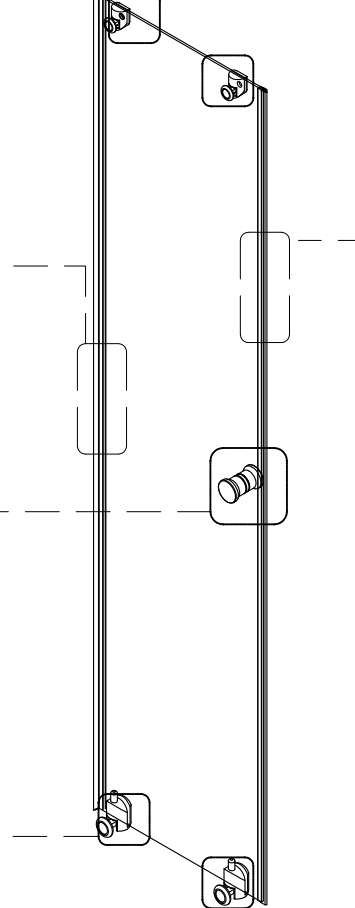
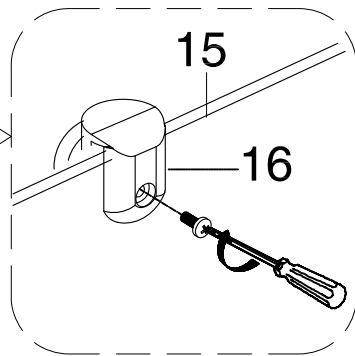
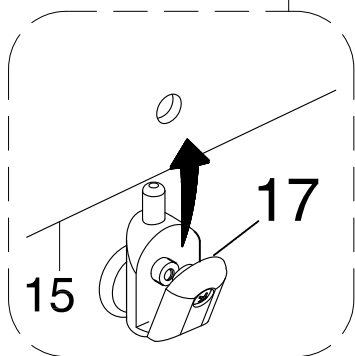
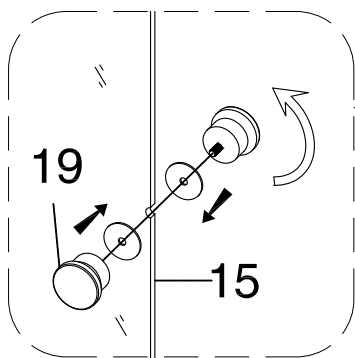
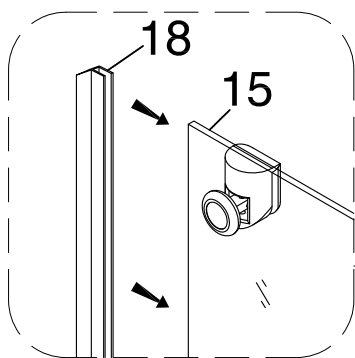
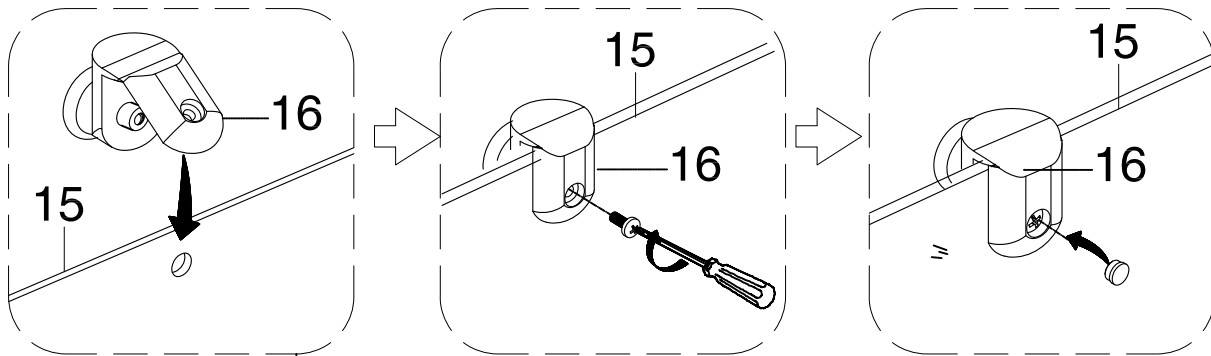
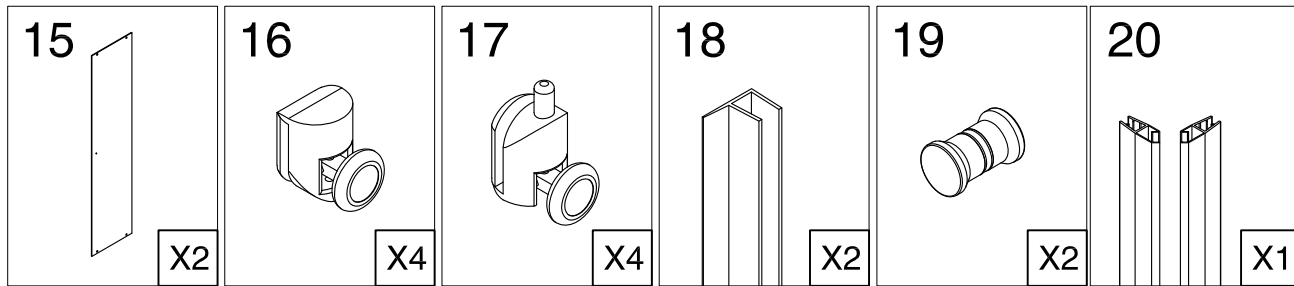
STEP 3



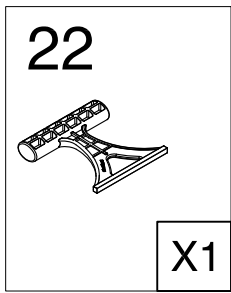
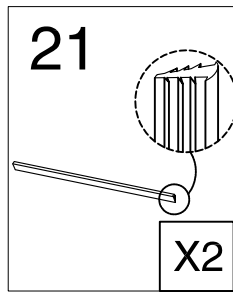
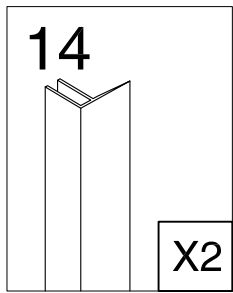


STEP 3

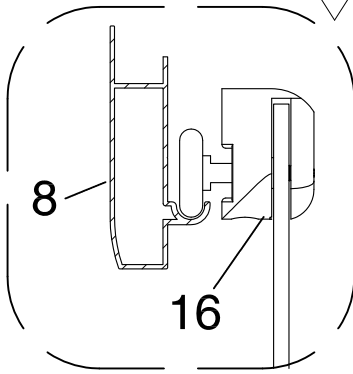
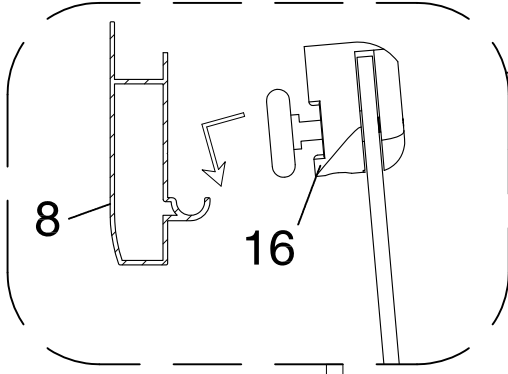




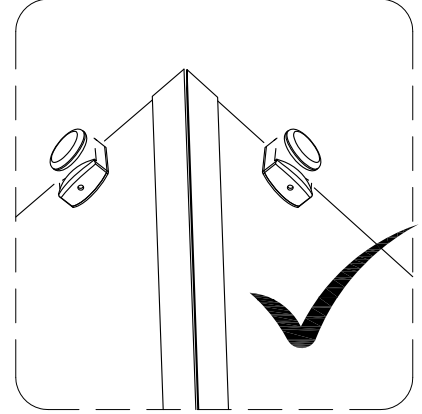
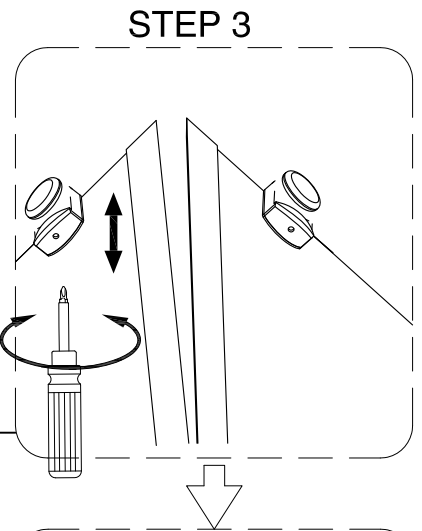
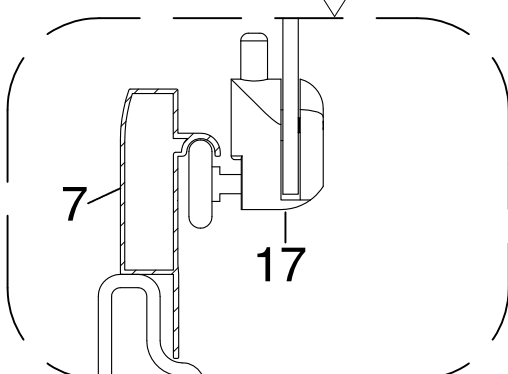
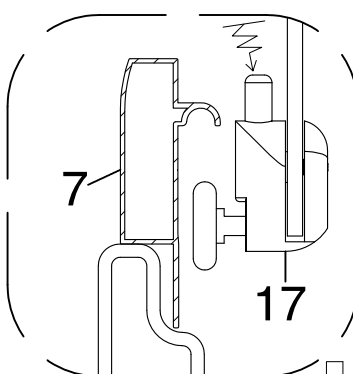




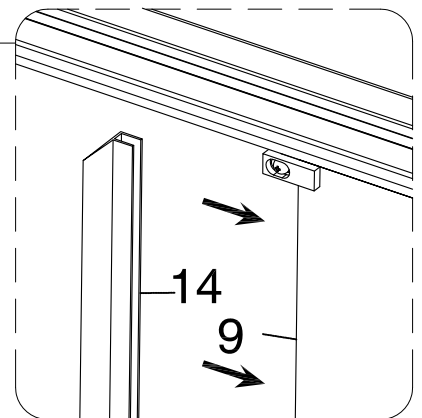
STEP 1



STEP 2



STEP 4



STEP 5

